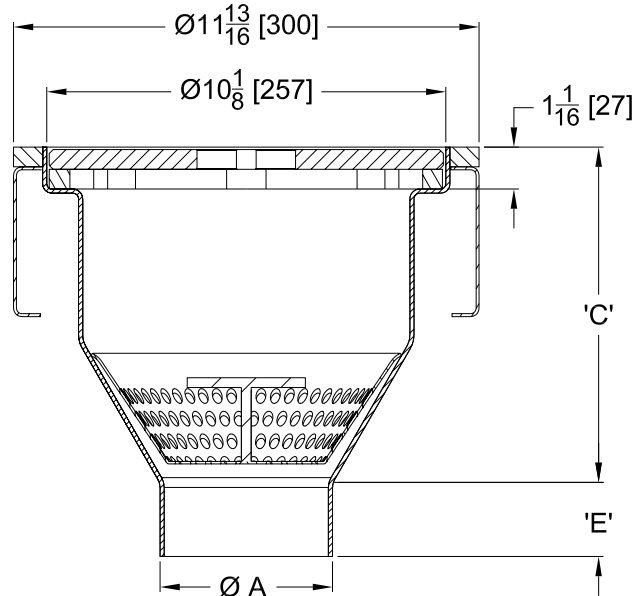




# Z1801-12B

12" [305] ROUND INDUSTRIAL DEEP SUMP CONICAL SANITARY FLOOR DRAIN

Design and Dimensional Data (inches and [ mm ]) are Subject to Manufacturing Tolerances and Change Without Notice



### ENGINEERING SPECIFICATION: ZURN Z1801-12B

12 [305] Diameter X 8-1/2 [216] Deep, 12 gauge, type 304 stainless steel, round industrial deep sump conical sanitary floor drain features seamless drain body construction, loose set extra heavy-duty slotted grate (1/2 [13] thick plate with 1/2 [13] anti tilt lugs) with finger holes, 1-1/16 [27] top frame, perforated removable sediment basket with lift handle, pre-pour stabilizing concrete anchor tabs, and bead blasted finish.

### OPTIONS (Check/specify appropriate options)

#### PREFIXES

\_\_\_ Z Type 304 (CF8) Stainless Steel\*      \_\_\_ ZM Type 316 (CF8M) Stainless Steel

#### PIPE SIZE (ØA)

- 2, 3, 4 [51, 76, 102]
- 2, 3, 4 [51, 76, 102]
- 2, 3, 4 [51, 76, 102]
- 2 [51]
- 3, 4 [76, 102]

#### OUTLET (specify size)

- \_\_\_ BW Butt-Weld (Sch. 40)
- \_\_\_ NH No-Hub (Sch. 10)
- \_\_\_ IP Threaded
- \_\_\_ A Adjustable Threaded
- \_\_\_ A Adjustable Threaded

#### 'E' OUTLET HT. DIM.

- 1-7/8 [48]
- 1-7/8 [48]
- 1-7/8 [48]
- 4-3/4 [121] MIN.- 6 [152] MAX.
- 3-1/2 [89] MIN.- 5-3/4 [146] MAX.

#### GRATE OPTIONS

- \_\_\_ -H3 Extra Heavy-Duty Perimeter Gap -1/2 [13] Plate
- \_\_\_ -H5 Extra Heavy-Duty Slotted Grate - 1/2 [13] Plate with Finger Holes\*
- \_\_\_ -H9 Medium-Duty Perforated Grate
- \_\_\_ -G3 3/4 Grate
- \_\_\_ -G2 1/2 Grate

#### OPEN AREA

- 15 in<sup>2</sup> [97 cm<sup>2</sup>]
- 19.2 in<sup>2</sup> [124 cm<sup>2</sup>]
- 24.1 in<sup>2</sup> [155.5 cm<sup>2</sup>]

#### SUFFIXES

- \_\_\_ -BF Butterfly Lock Sediment Basket (4" Sch. 40 Outlet Only)
- \_\_\_ -K Anchor Flange (Located 2" below finished grate)
- \_\_\_ -KC Anchor Flange with Seepage Holes and Clamp Collar (Located 2" below finished grate)
- \_\_\_ -MG EZ Magnetic Lock Drain Line Protection
- \_\_\_ -P 1/2 [13] Trap Primer Connection
- \_\_\_ -VP Vandal Proof Secured Top
- \_\_\_ -Y Standard Perforated Removable Sediment Basket\*

#### 'C' SUMP HT. DIM.

- \_\_\_ -8 8-1/2 [216]\*
- \_\_\_ -10 10-1/2 [267]

\* Regularly furnished unless otherwise specified.

**WARNING:** Cancer and Reproductive Harm - [www.P65Warnings.ca.gov](http://www.P65Warnings.ca.gov)

**ADVERTENCIA:** Cáncer y daño reproductivo - [www.P65Warnings.ca.gov](http://www.P65Warnings.ca.gov)

**AVERTISSEMENT:** Cancer et effets néfastes sur la reproduction - [www.P65Warnings.ca.gov](http://www.P65Warnings.ca.gov)